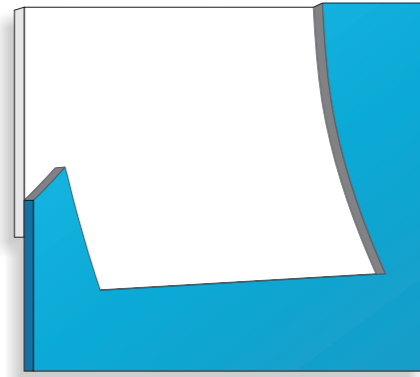
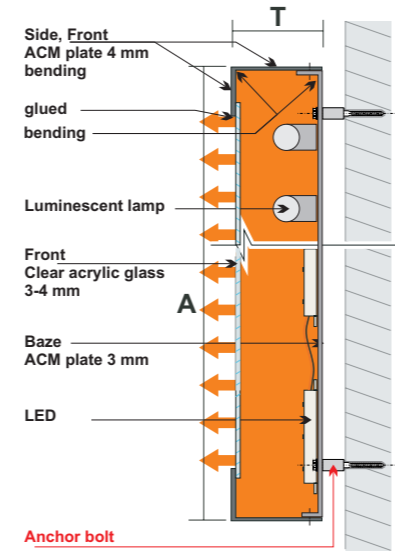


Cut out Nr. 00

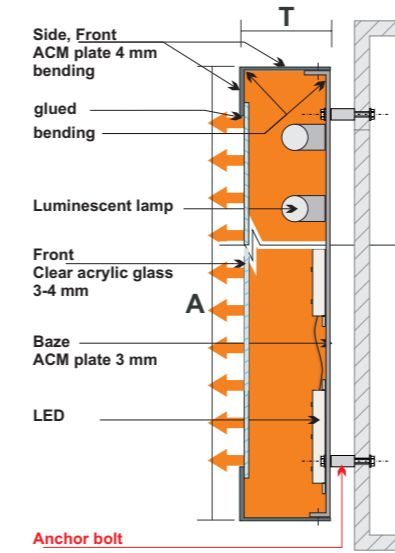
A - max 1300 mm



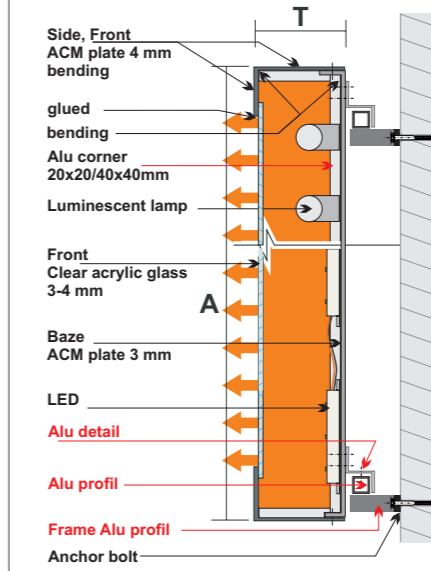
Mounting with anchor bolt



Mounting with anchor bolt to composite plate

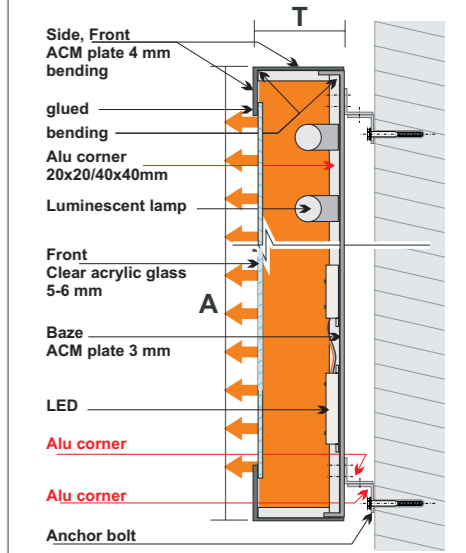


Letter with alu corner frame inside



Mounting on Alu profil frame

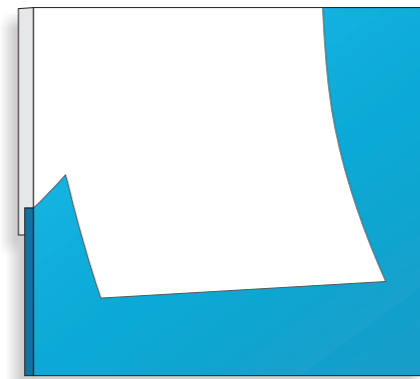
Letter with alu corner frame inside



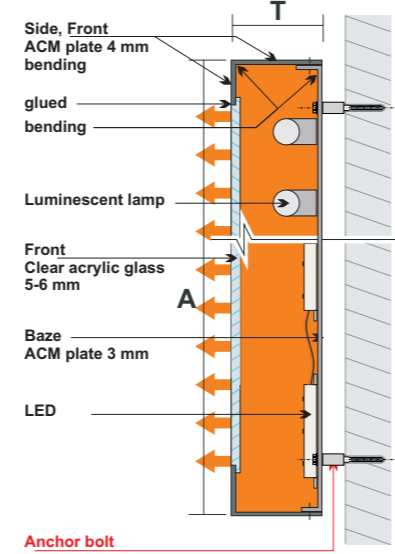
Mounting with Alu corners

Cut out Nr. 01

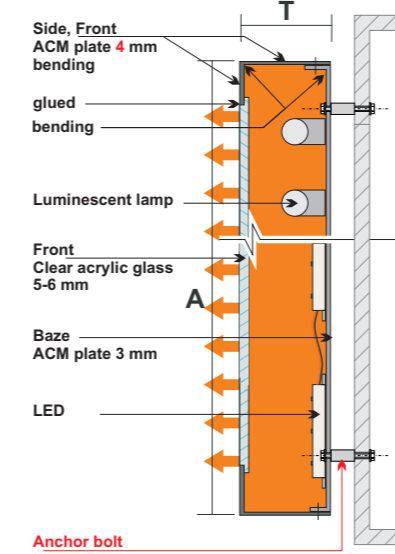
A - max 1300 mm



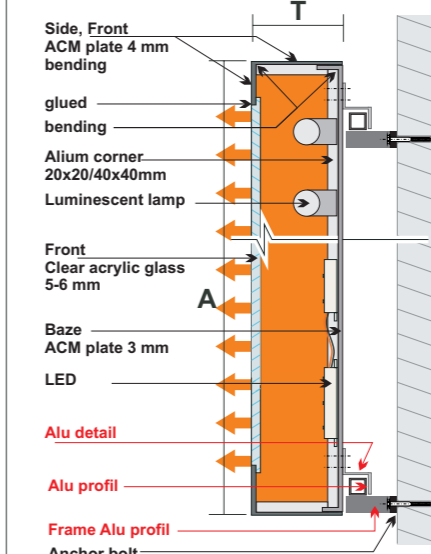
Mounting with anchor bolt



Mounting with anchor bolt to composite plate

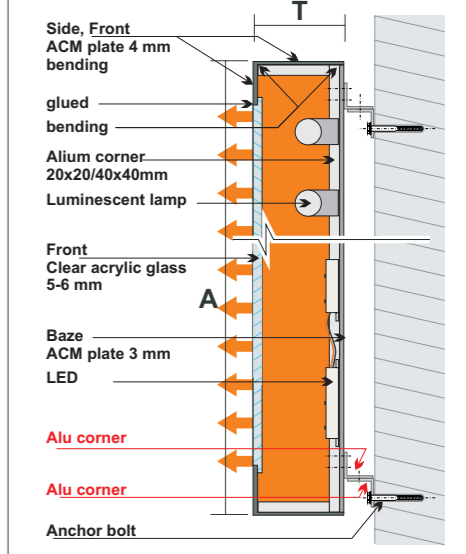


Letter with alu corner frame inside



Mounting on Alu profil frame

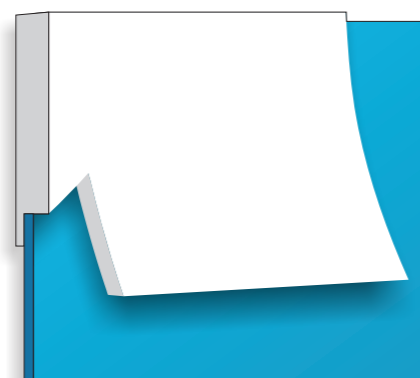
Letter with alu corner frame inside



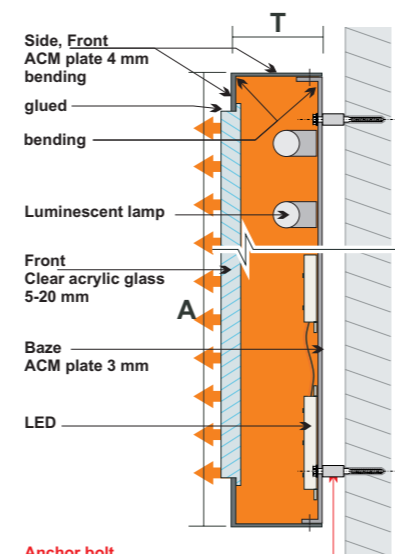
Mounting with Alu corners

Cut out Nr. 02

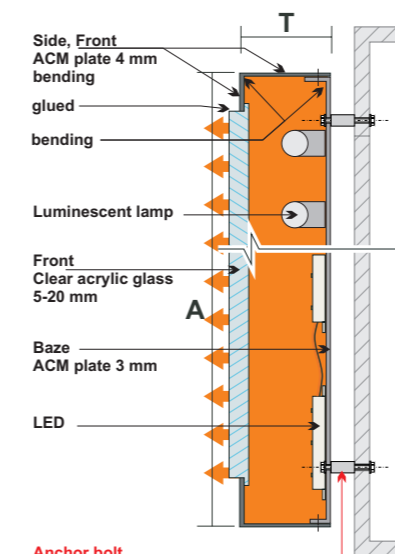
A - max 1300 mm



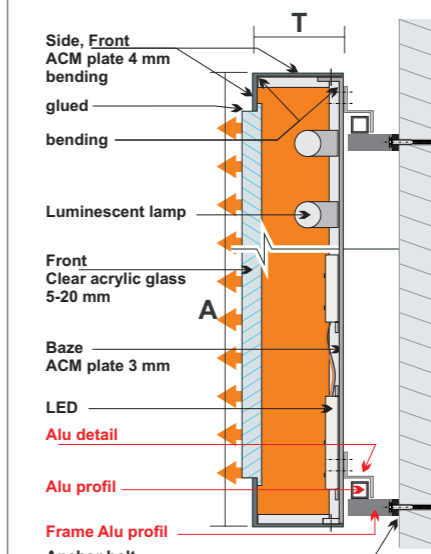
Mounting with anchor bolt



Mounting with anchor bolt to composite plate

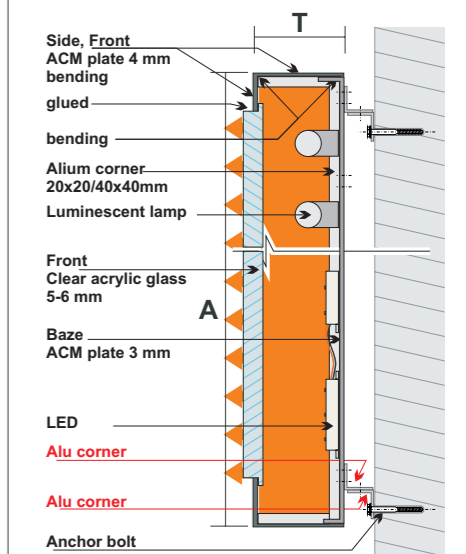


Letter with alu corner frame inside



Mounting on Alu profil frame

Letter with alu corner frame inside



Mounting with Alu corners

Pannel with cut-out

Aluminum plate covered with paint

Acrylic glass

illumination with LED modules or with luminiscent lamps